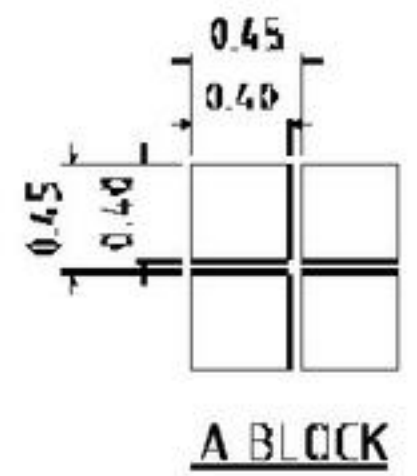
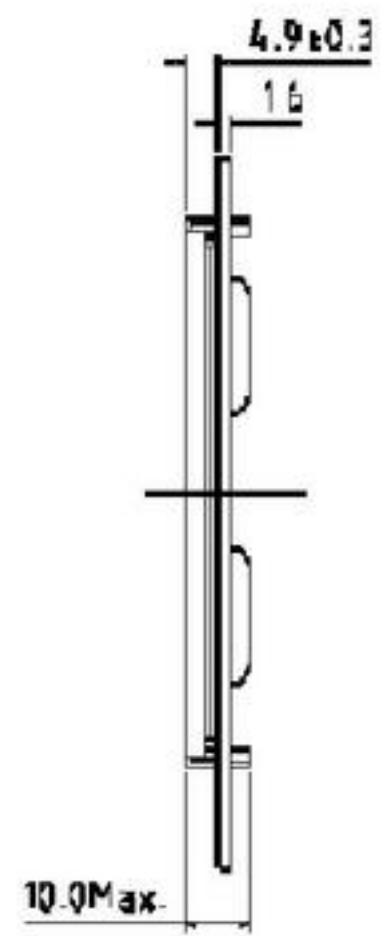
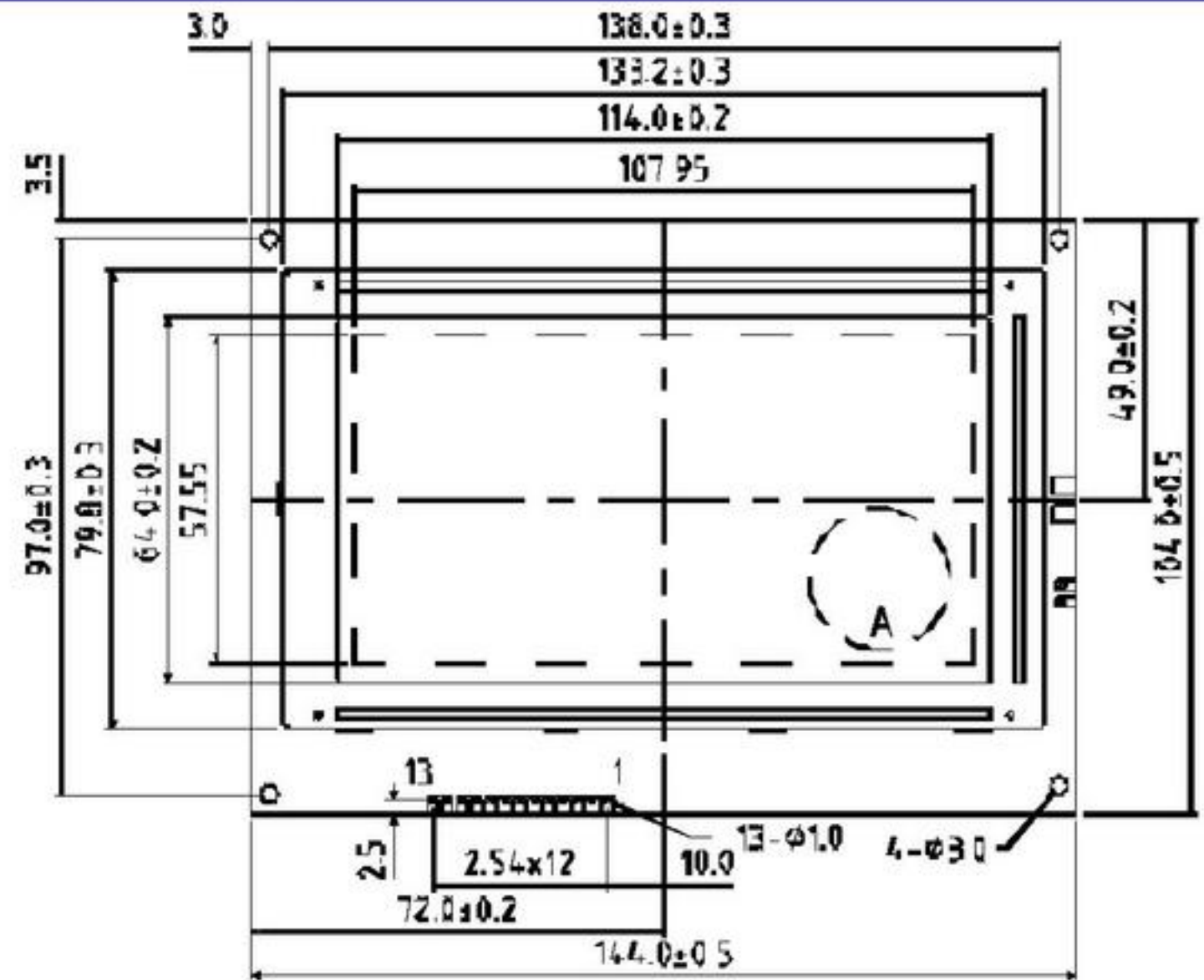


# External Dimensions



Ref,EL,B/L